

BALL - JOINT WTB-9, 9V, 17, 17V, 18, 20 FLEX - NECK WTF-9, 9V, 17, 17V, 18, 20 DIMENSIONAL DATA SHEET

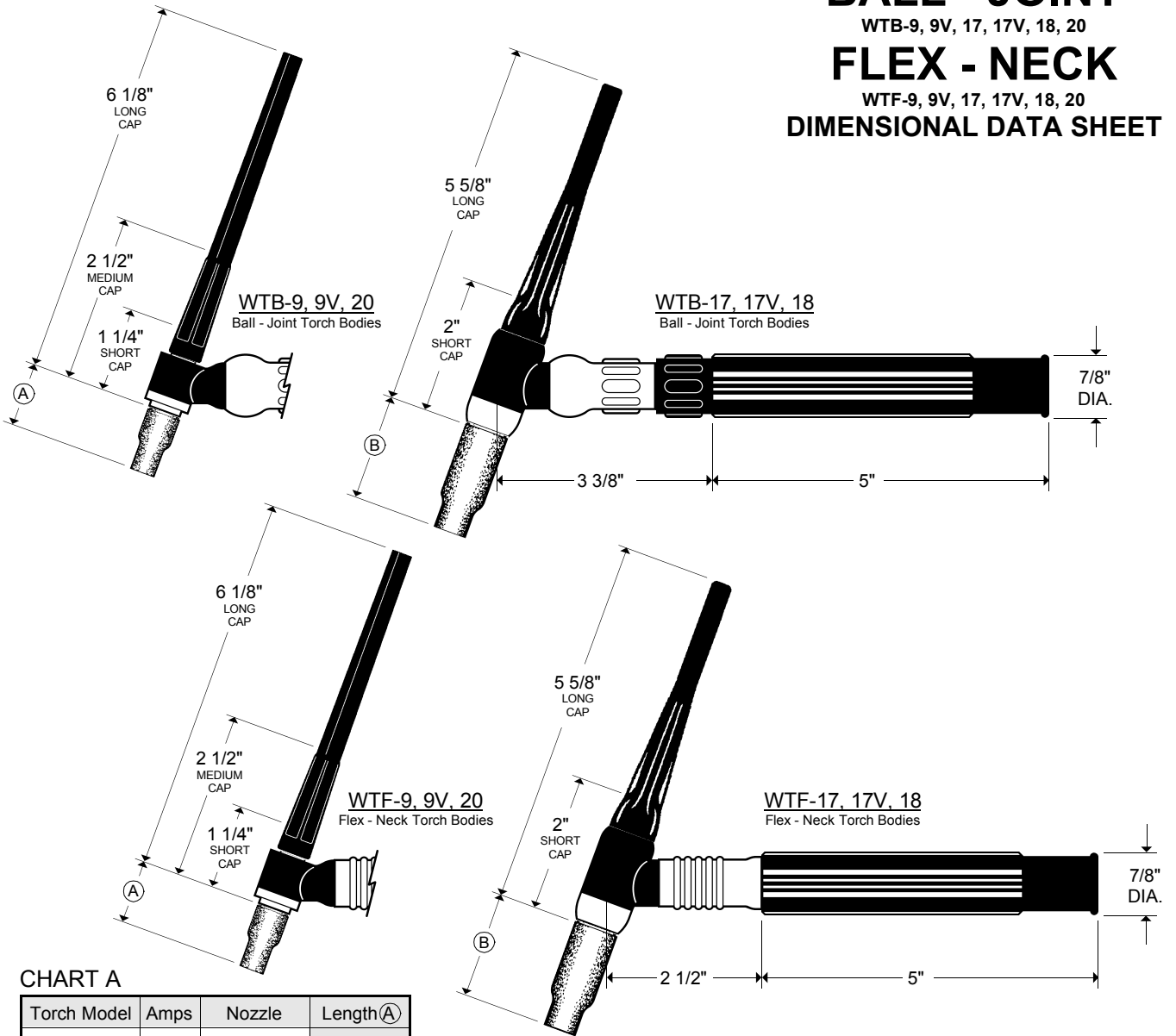


CHART A

Torch Model	Amps	Nozzle	Length(A)
WTR-9, 9V WTR-20	125 230	Standard Nozzle	1"
		Long Nozzle	1 7/8"
		Extra Long Nozzle	2 3/8"
		Gas Lens Nozzle	1"
		Medium Dia. Gas Lens Nozzle	1 5/16"
		Large Dia. Gas Lens Nozzle	1 7/8"

CHART B

Torch Model	Amps	Nozzle	Length(B)
WTR-17, 17V WTR-18	150 230	Standard Nozzle	1 11/16"
		Long Nozzle	2 7/8"
		Gas Lens Nozzle	1 3/4"
		Large Dia. Gas Lens Nozzle	1 7/8"

SPECIFICATIONS

Torch Model	Maximum Amps (dcsp)	Duty Cycle (dcsp)	Tungsten Capacity	Max. Length	Cooling Requirements
WTB-9, 9V WTF-9, 9V	125	60%	.020 - 3/32	7"	Air Cooled
WTB-17, 17V WTF-17, 17V	150	60%	.020 - 1/8	7"	Air Cooled
WTB-18 WTF-18	230	60%	.020 - 5/32	7"	Water Cooled 1 Qt./min. (50 psi MAX. OUTPUT)
WTB-20 WTF-20	230	60%	.020 - 1/8	7"	Water Cooled 1 Qt./min. (50 psi MAX. OUTPUT)

COPYRIGHT 2001 - 2015 TEC WELDING PRODUCTS, INC.

Note: Specifications and dimensions are subject to change without notice.

MANUFACTURED IN USA
TEC WELDING PRODUCTS, INC. • PO BOX 1870 • SAN MARCOS, CA 92079 • (760) 747-3700

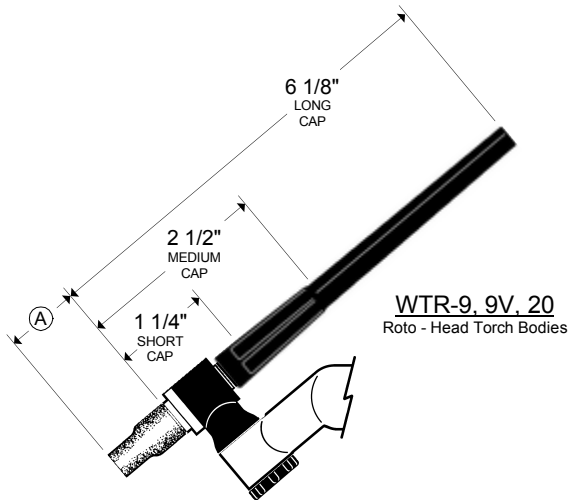
www.tectorch.com

e-mail info@tectorch.com

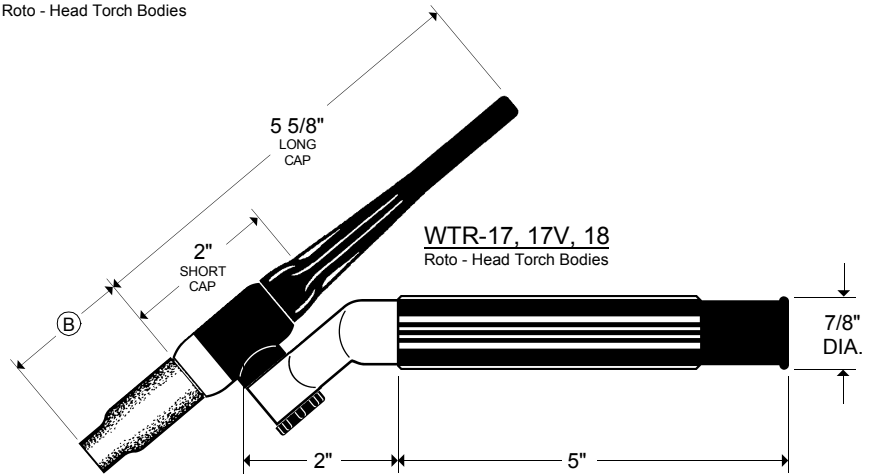
www.weldtec.com

REVISION C

ROTO - HEAD WTR-9, 9V, 17, 17V, 18, 20 DIMENSIONAL DATA SHEET



WTR-9, 9V, 20
Roto - Head Torch Bodies



WTR-17, 17V, 18
Roto - Head Torch Bodies

CHART A

Torch Model	Amps	Nozzle	Length (A)
WTR-9, 9V WTR-20	125 230	Standard Nozzle	1"
		Long Nozzle	1 7/8"
		Extra Long Nozzle	2 3/8"
		Gas Lens Nozzle	1"
		Medium Dia. Gas Lens Nozzle	1 5/16"
		Large Dia. Gas Lens Nozzle	1 7/8"

CHART B

Torch Model	Amps	Nozzle	Length (B)
WTR-17, 17V WTR-18	150 230	Standard Nozzle	1 11/16"
		Long Nozzle	2 7/8"
		Gas Lens Nozzle	1 3/4"
		Large Dia. Gas Lens Nozzle	1 7/8"

SPECIFICATIONS

Torch Model	Maximum Amps (dcsp)	Duty Cycle (dcsp)	Tungsten Capacity	Max. Length	Cooling Requirements
WTR-9, 9V	125	60%	.020 - 3/32	7"	Air Cooled
WTR-17, 17V	150	60%	.020 - 1/8	7"	Air Cooled
WTR-18	230	60%	.020 - 5/32	7"	Water Cooled 1 Qt./min. (50 psi MAX. OUTPUT)
WTR-20	230	60%	.020 - 1/8	7"	Water Cooled 1 Qt./min. (50 psi MAX. OUTPUT)

Note: Specifications and dimensions are subject to change without notice.

MANUFACTURED IN USA
TEC WELDING PRODUCTS, INC. • PO BOX 1870 • SAN MARCOS, CA 92079 • (760) 747-3700